



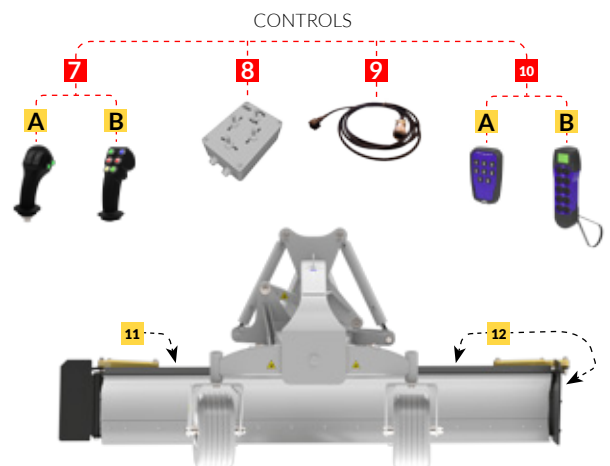
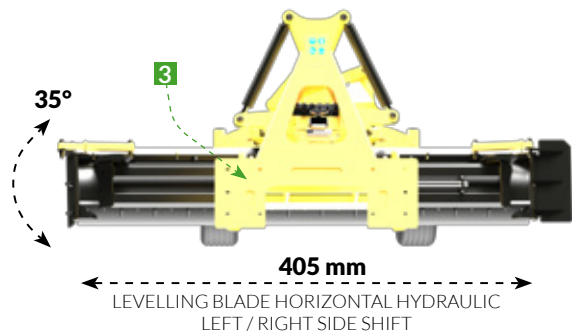
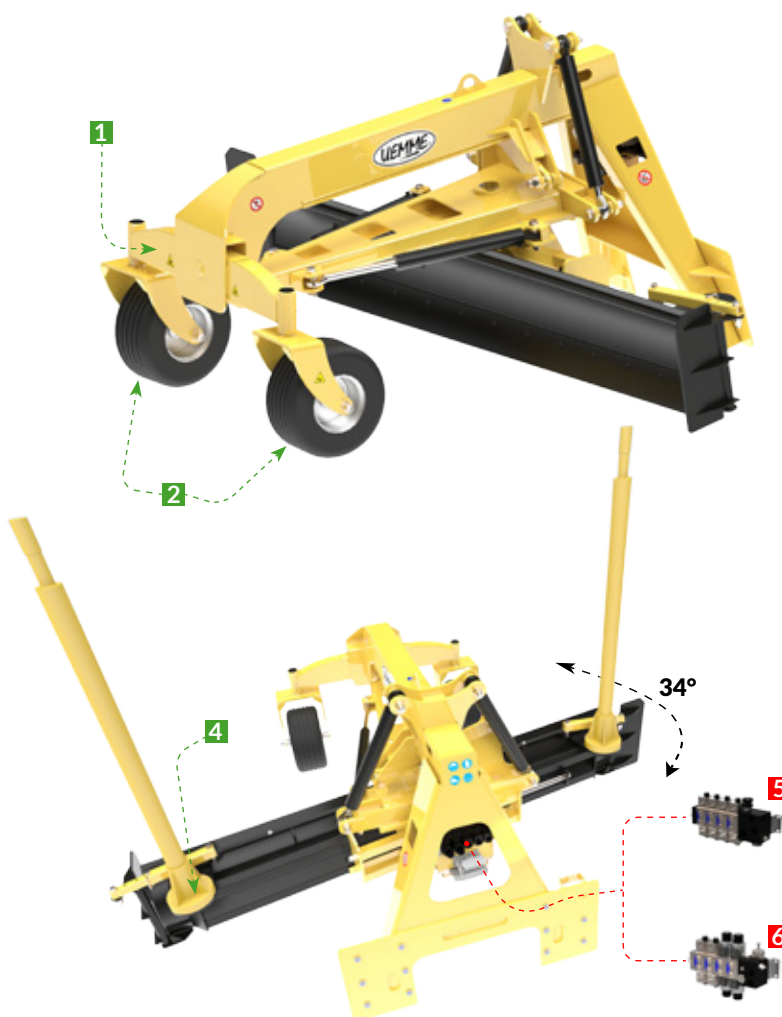
# GRADER COBRA


## TECHNICAL SPECIFICATIONS

- 1 Wheels support axle inserted into the frame
- 2 360° rotating wheels
- 3 Set up for bolted linkage plate
- 4 Couple of side plates for laser signals receivers support poles fixing

## DESCRIPTION

COBRA is a Grader with 4 different levelling blades size. Blade angulation and tilt are moved by **2 couples of powerful hydraulic cylinders**. Each COBRA hydraulic function can be controlled manually through one of the **6 types of available controls**, be completely automated using a self-levelling laser signal system, or it can be set hybrid namely manual and automated control with self-levelling laser system. The controlvalve with which to equip COBRA can be chosen between **on/off or proportional** type, the latter guarantees extreme precision performance. The COBRA grader transforms your skid steer loader, wheel loader or backhoe loader into a high performance motor grader with which to carry out high precision levelling work both simply and quickly.



MODELS		COBRA 2100	COBRA 2400	COBRA 2500	COBRA 2700
Blade width	mm	2100	2400	2500	2700
Working width at maximum angulation	mm	1836	2098	2186	2361
Blade maximum angulation (rotation)	°	± 34	± 34	± 34	± 34
Blade maximum tilt	°	± 35	± 35	± 35	± 35
Blade maximum left/right side shift from center	mm	± 405	± 405	± 405	± 405
Weight without linkage	Kg	640	730	760	820
Maximum oil flow	l/1'	80	80	80	80
Maximum pressure	bar	170	170	170	170
	Tons	2,5÷7	3,5÷8	4÷8,5	5÷11

**HYDRAULIC CONTROLVALVES**

- 5** On/off controlvalve
- 6** Proportional controlvalve

**CONTROLS**

- 7** Joystick
  - A** On/off joystick
  - B** Proportional joystick
- 8** 4 levers manipulator (on/off)
- 9** 14 pins connector
- 10** Radio remote control
  - A** On/off radio remote control
  - B** Proportional radio remote control

**OPTIONS**

- 11** Bolted steel top strip for blade height increase
- 12** Bolted steel top string + 2 mechanically adjustable side panels

**LINKAGE SYSTEMS**

- 1** Universal linkage for Skid-Steer Loader
- 2** Non universal linkage for Skid-Steer Loader
- 3** Wheel Loaders, Backhoe Loaders and Telehandlers linkage

**APPLICATIONS**

- INDUSTRIAL SECTOR
- BUILDING SECTOR
- ROAD MAINTENANCE
- COMPOSTING PLANTS
- LEVELLING OPERATIONS FOR FLOORS PREPARATION
- LEVELLING OPERATIONS FOR ROADS PREPARATION
- LEVELLING OPERATIONS FOR SQUARES PREPARATION



**3**

**6**

**12**